

## FEATURES

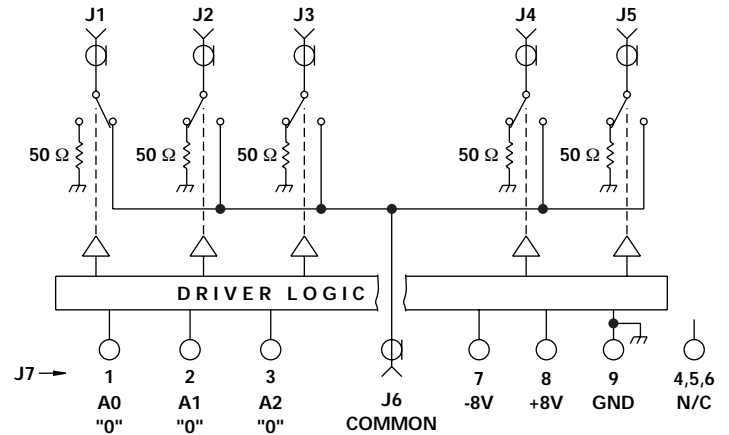
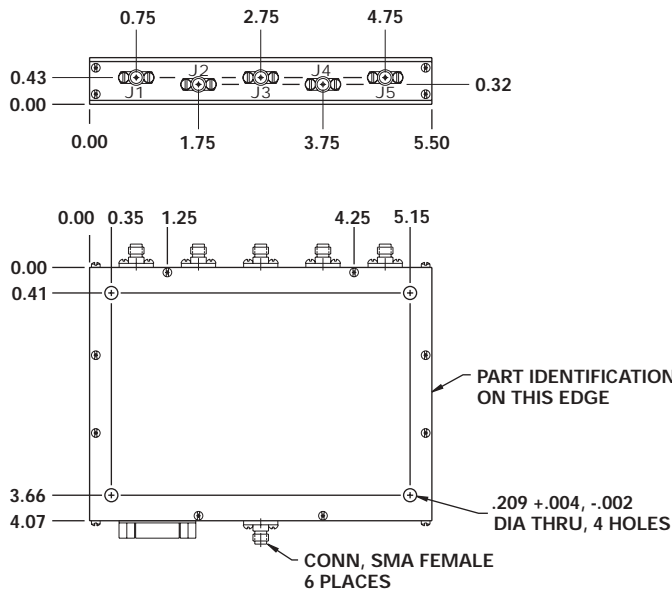
- 1.5 - 30 MHz
- +116 dBm 2nd IP
- +60 dBm 3rd Ip
- Amp / Phase Match
- 3 Watts



MODEL NO.  
100D9096

Switch SP5T

SP5T



CONTROL			RF COMMON (J6) TO...				
A2	A1	A0	J1	J2	J3	J4	J5
0	0	0	ON	OFF	OFF	OFF	OFF
0	0	1	OFF	ON	OFF	OFF	OFF
0	1	0	OFF	OFF	ON	OFF	OFF
0	1	1	OFF	OFF	OFF	ON	OFF
1	0	0	OFF	OFF	OFF	OFF	ON
1	0	1	OFF	OFF	OFF	OFF	OFF
1	1	0	OFF	OFF	OFF	OFF	OFF
1	1	1	OFF	OFF	OFF	OFF	OFF

.xx = .02  
.xxx = .010

## GUARANTEED PERFORMANCE

Parameter	Min	Typ	Max	Units	Conditions
Operating Frequency	1.5		30	MHz	
DC Current		31 3	50 10	mA	At +8 VDC Supply At -8 VDC Supply
Control Type		TTL			5 Line See Table
Control Current	High Low	±1 ±1	±20 ±20	µA	V <sub>IH</sub> = +2.7 V V <sub>IL</sub> = +0.5 V
Insertion Loss		0.76	1.1	dB	
Phase Match Port to Port		±0.5	±2	deg	
Amplitude Matching Port to Port		±0.05	±0.5	dB	
Isolation	45	52		dB	
VSWR	Thru Termination	1.1/1 1.1/1	1.25/1 1.5/1		
Impedance		50		OHMS	
Switching Speed		0.13	500	µSec	50% TTL to 90% / 10% RF
Transition (Rise/Fall) Time		40		nSec	10% / 90% or 90% / 10% RF
Switching (Video) Transients		10	100	mV	Peak Value
Intercept Points	2nd 3rd	+107 +58	+116 +60	dBm	
RF Power	Operate No Damage	+36	+30 3	dBm W	1 dB Compression Thru or Common Port
Operating Temperature	0	+25	+40	°C	TA

